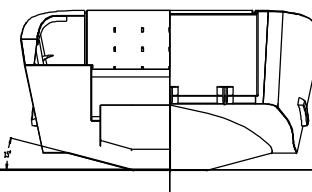
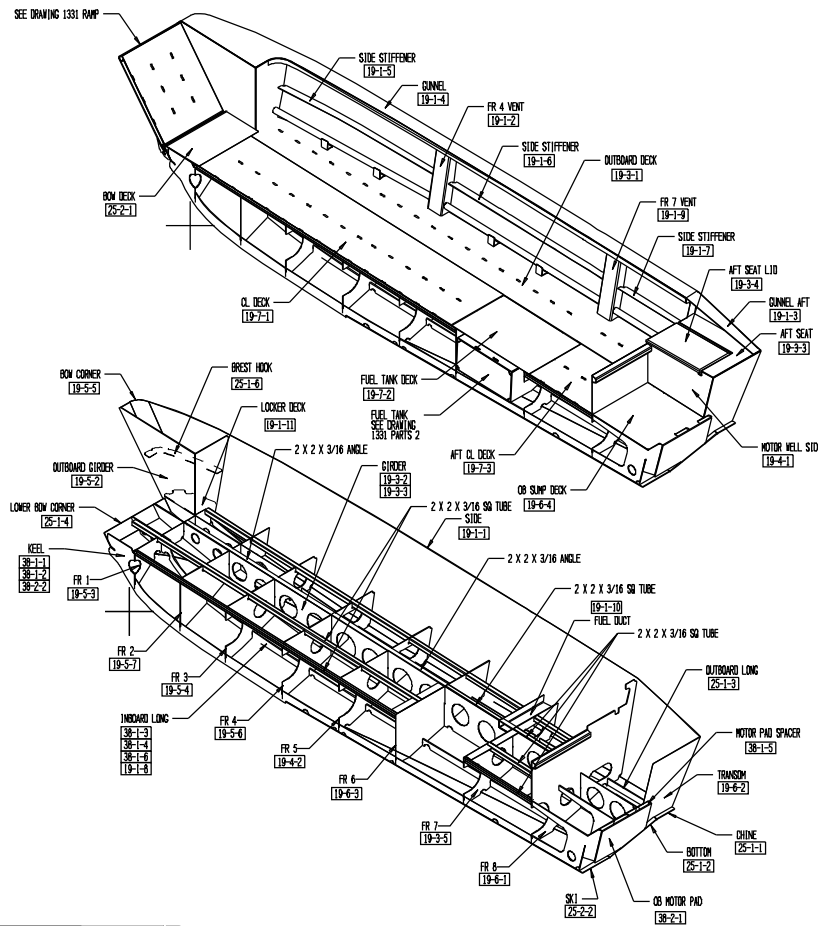
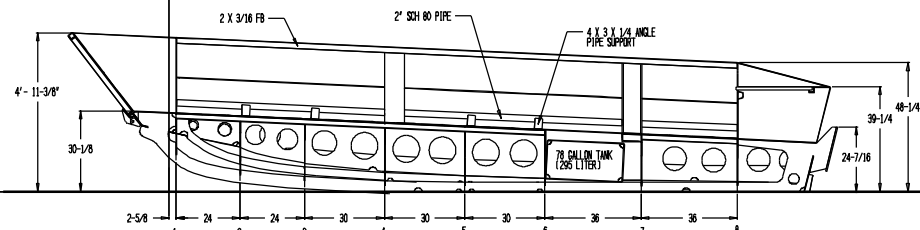
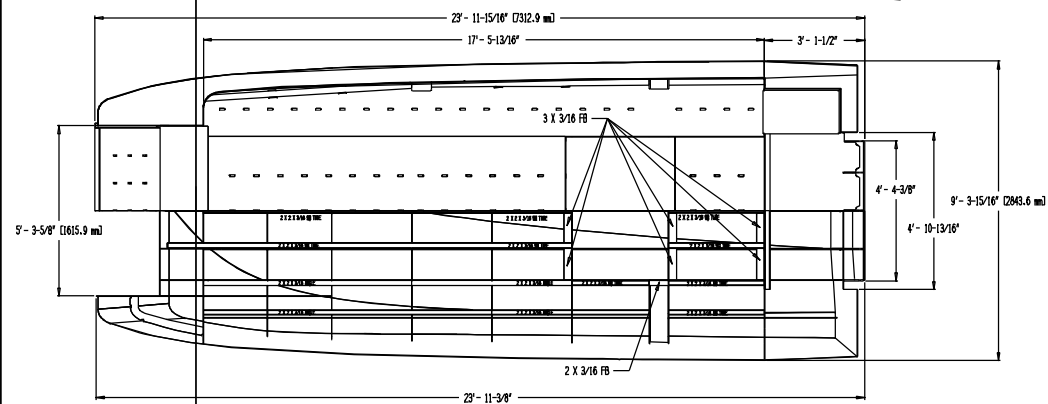
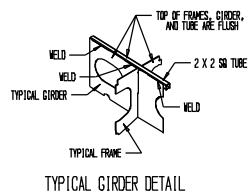
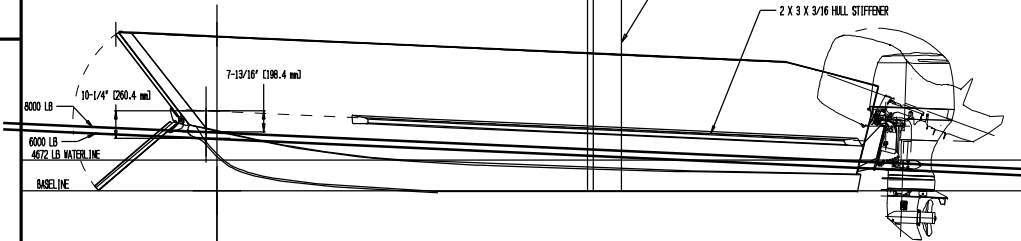


78 GALLON FUEL TANK



REV C: 02/09/2011 SHOW NEW 2 X 2 X 3/16 SQ TUBE BETWEEN SHELL AND OUTBOARD GIRDER, ADD WELD SLOTS TO OUTBOARD DECK.

REV B: 8/12/10 ADDED TYPICAL GIRDER DETAIL.

REV A: 6/30/08 CREATE DRAWING

6/30/08

THESE PLANS, ACCOMPANYING INSTRUCTIONS, AND/OR SPECIFICATIONS, GRANT THE PURCHASER OR CLIENT IF RECORD RIGHTS TO BUILD ONE BOAT THEREFROM. ALL DESIGN MATERIALS REMAIN THE PROPERTY OF THE DESIGNER. NO PART OR WHOLE THEREOF MAY BE REPRODUCED OR TRANSMITTED IN ANY FORM OR BY ANY MEANS, ELECTRONIC OR MECHANICAL, INCLUDING PHOTOCOPYING, RECORDING, OR BY ANY INFORMATION STORAGE AND RETRIEVAL SYSTEM, WITHOUT THE WRITTEN PERMISSION OF THE DESIGNER.

COPYRIGHT

SPECIALTY MARINE
PO Box 1081, Seabrook, NH 07058

24 X 9.5' LANDING CRAFT

SIZE: FRON. NO. ONE NO. 1331 VIEWS REV C
SCALE: 1/2" = 1'

SHEET